

DRG. No.

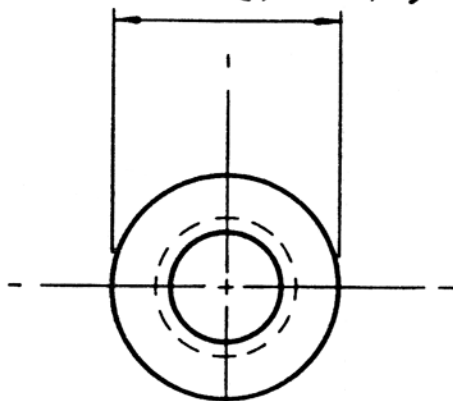
A22

1201

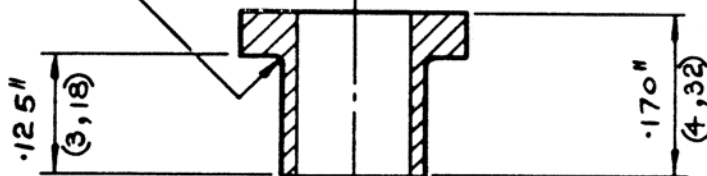
FOR EXPLANATION OF DIMENSIONING, ETC. SEE B.S.308

THIRD ANGLE PROJECTION

$.232'' \pm .008''$  (5,89 ± 0,20) DIA.



$.020''$  (0,51)  
 $.010''$  (0,25) RAD.



$.120'' \pm .005''$  (3,05 ± 0,13) DIA.

$.150'' \pm .005''$  (3,81 ± 0,13) DIA.

SUITABLE FOR USE WITH SCREW SIZES - GBA, 4-40 UNC AND METRIC M3.

JERMYN CODE	PIECE PART NO	MATERIAL	SPEC.
A1201	P22-1201	A1408	MS003
X22-1007	P22-1007	A1406	MS001

DATE	ISS.	REVISION	SIG.
7-3-75	A	RE-DRAWN, METRIC ADDED. BORE SIZE WAS $.120'' \pm .010''$ , BOSS DIA. WAS $.150'' \pm .010''$	B.L.
19-9-77	B	MATERIAL CHANGED	CJ
10-3-78	C	NEW No., TITLE AMENDED	CJ
28-9-78	D	FILLET RAD INC from .010max ECN 71	APD
2.9.80	E	C.N. 254.	RK.
11.6.81	F	C.N. N° 273	RK

MATERIAL SEE TABLE.		FINISH NATURAL	
TOLERANCE $\pm .005''$ (0,13) U.O.S.		DRAWN	B. LANE
SCALE: 5 : 1		TRACED	
DIMS. INCHES (mm)		CHECKED	
		DATE	7-3-75

TITLE INSULATING BUSH

**Jermyn Manufacturing**

Sevenoaks Kent  
Telephone Sevenoaks (0732) 58271  
Telegrams Jermyn Sevenoaks  
Telex 95142

DRG. No.

A22

1201