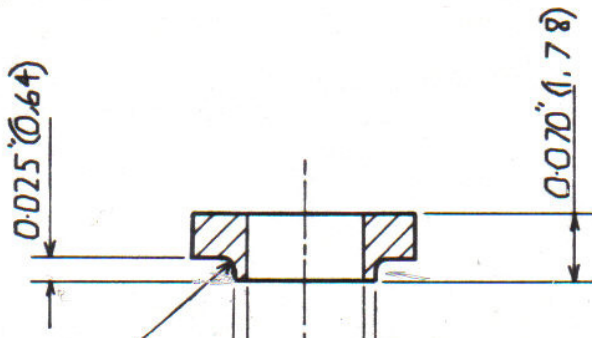
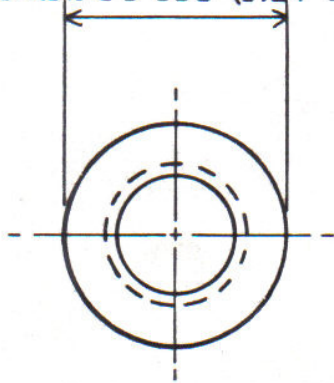


DRG. No.
A 22 1218

FOR EXPLANATION OF DIMENSIONING, ETC. SEE B.S.308

THIRD ANGLE PROJECTION

0.232 ± 0.008 (5.89 \pm 0.20) DIA.



0.010 (0.25) RAD. MAX.

0.120 ± 0.005 (3.05 \pm 0.13) DIA.

0.150 ± 0.005 (3.81 \pm 0.13) DIA.

SUITABLE FOR USE WITH SCREW SIZES,
 6BA. , 4-40 U.N.C. AND METRIC M3.

A1218 R.C. **STANYK**

DATE	ISS.	REVISION	SIG.	JERMYN CODE	PIECE PART NO	MAT ^{ls}
11.6.81	A	C.N. N° 273.				
25-1-10	B	EXTRA MTL ADDED TO LIST	AE	A 1218	P22-1218	A 14-08
				MATERIAL SEE TABLE	FINISH NATURAL	
				TOLERANCE ± 0.005 (0.13) U.D.S.	DRAWN	CJ
					TRACED	
TITLE INSULATING BUSH				SCALE: 5:1	CHECKED	
				DIMS. INCHES (mm)	DATE	30/1/78

Jermyn Manufacturing

Sevenoaks Kent
 Telephone Sevenoaks (0732) 58271
 Telegrams Jermyn Sevenoaks
 Telex 95142

DRG. No.
A 22 1218