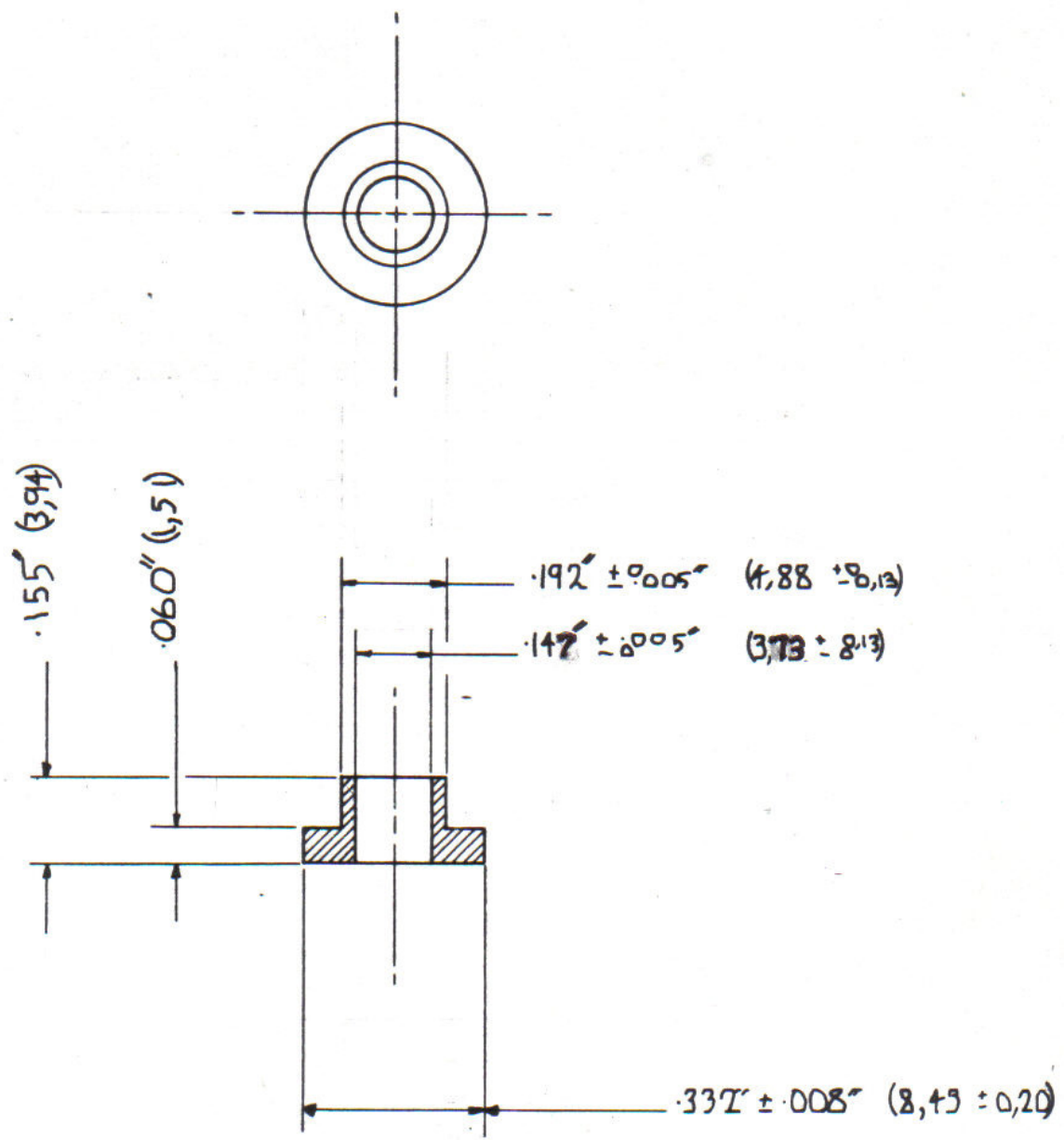


DRG. No.		
A22	1108	

FOR EXPLANATION OF DIMENSIONING, ETC. SEE B.S.308

THIRD ANGLE PROJECTION



DATE	ISS.	REVISION	SIG.	JERMYN CODE	PIECE PART No	Material.
21.3.78	A	Drwg rationalised.	CM	A1108	P22-1108	A1406
10.6.81	B	C.N. No 273	RN.			
28.3.11	C	<del>.147</del> WAS <del>.142</del>	AE	MATERIAL SEE TABLE		FINISH NATURAL
				TOLERANCE $\pm .005$ U.O.S. ( $\pm 0,13$ )		DRAWN CJ
				SCALE: 3:1		TRACED
TITLE INSULATING BUSH				DIMS. INCHES (mm)		CHECKED
						DATE 16-12-77
Jermyn Manufacturing				Sevenoaks Kent Telephone Sevenoaks (0732) 58271 Telegrams Jermyn Sevenoaks Telex 95142		DRG. No.
						A22 1108